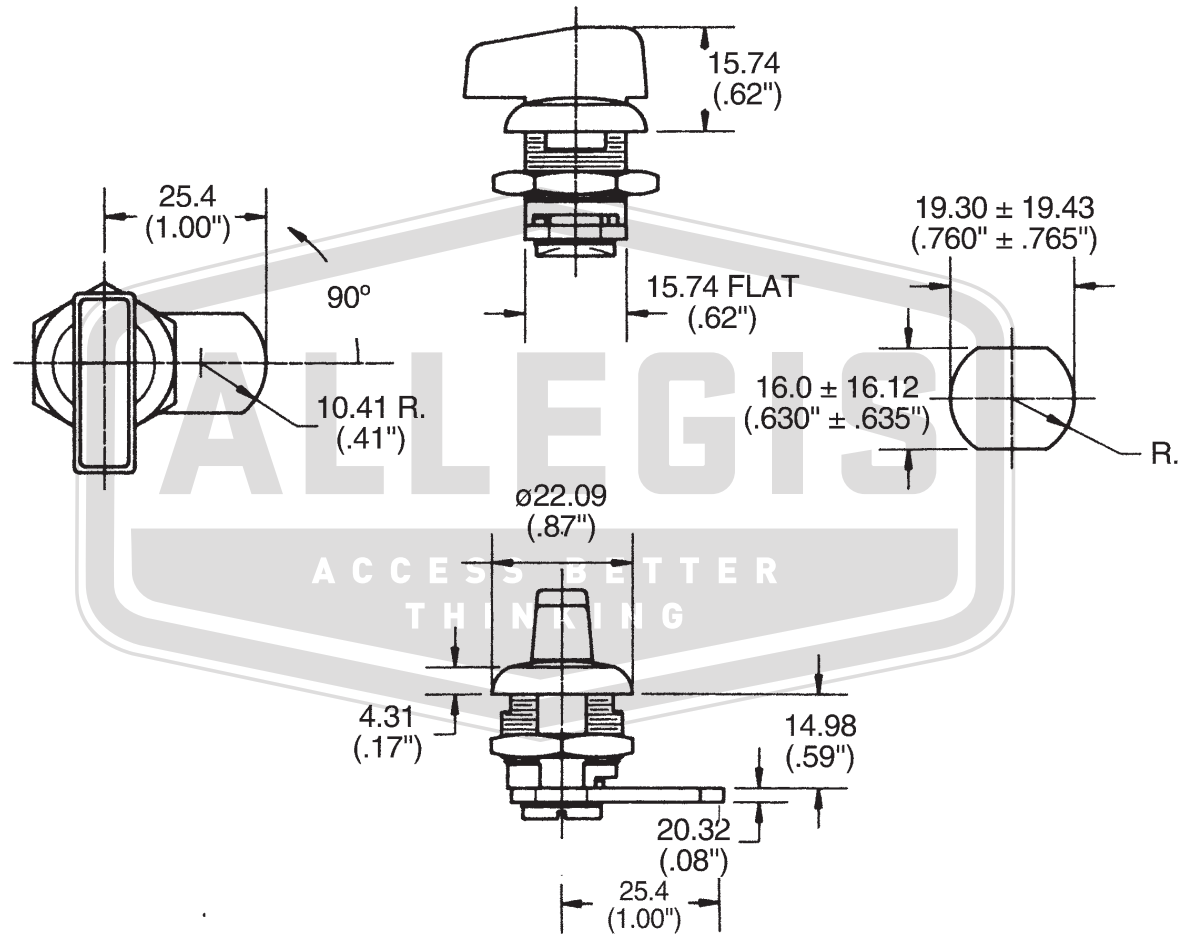


APPROVAL - CUSTOMER NAME & SIGNATURE

DATE



<b>ALLEGIS</b>		1-866-378-7550
MATERIAL:	DRAWING NO. :	
	522A NI	
FINISH:		
Black		
REV.:	DATE:	
1:1	6/12/2019	